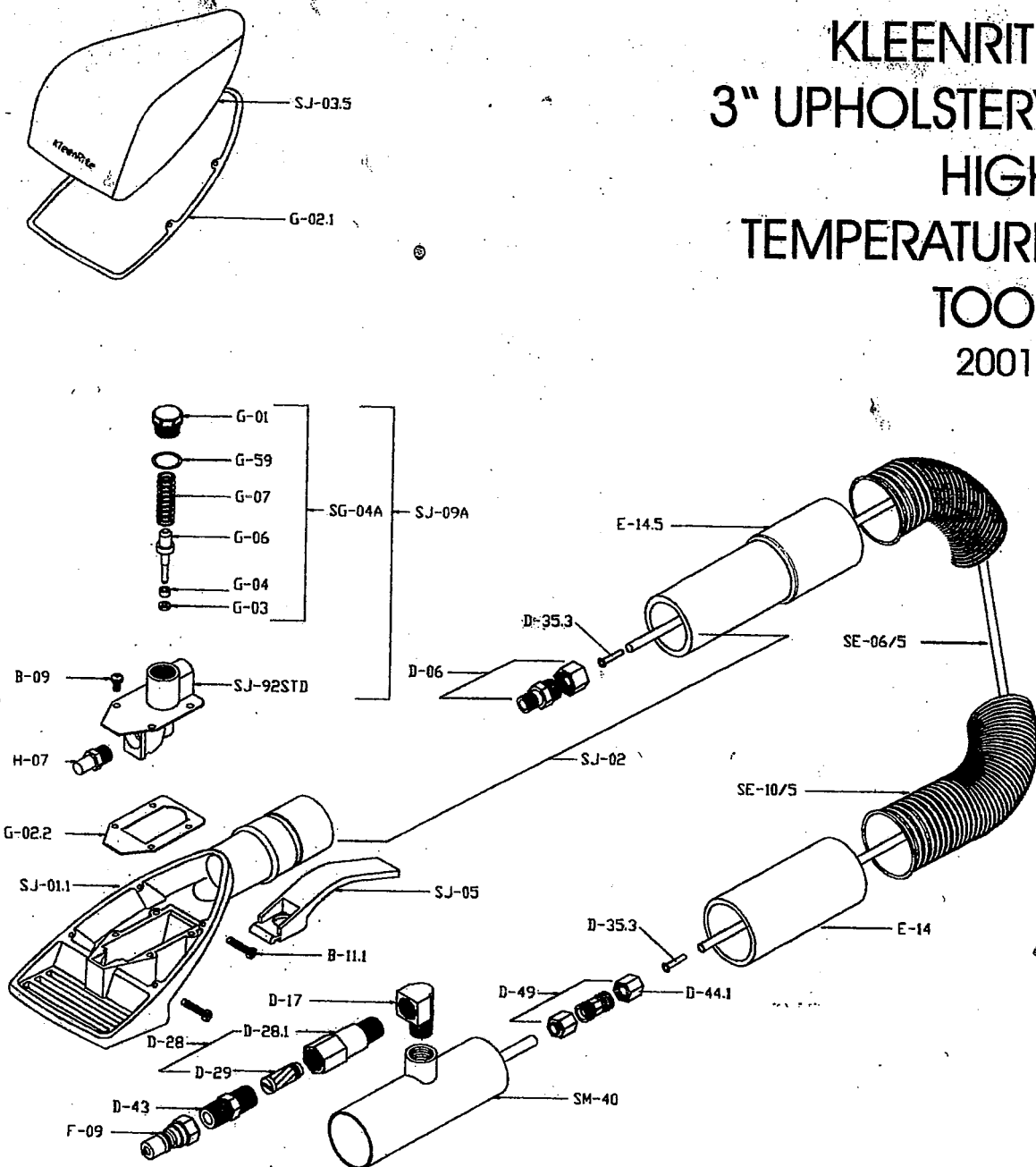


# KLEENRITE 3" UPHOLSTERY HIGH TEMPERATURE TOOL 20014



Part No.	Description	Qty.	Part No.	Description	Qty.
B-09	6-32 X 1/4 PHXSS	4	G-03	O-RING, VITON, TOOL VALVE	1
B-11.1	6-32 X 3/4 PHILISTER XSS	4	G-04	SLEEVE, BRASS, TOOL VALVE	1
D-06	COUP 1/8NPTX1/4COMP INTER	1	G-06	STEM, VITON, TOOL VALVE	1
D-17	90 ST ELBOW 1/4" NPT	1	G-07	SPRING, LP 3" TOOL VALVE	1
D-28	FILTER INLINE 100 MESH	1	G-59	O-RING, 3" TOOL VALVE CAP	1
D-28.1	FILTER BODY	1	H-07	JET, 1.0 FLOOD SS	1
D-29	FILTER SCREEN 100 MESH	1	SE-06/5	TUBE, 1/4" TEFLON 5"WHITE	1
D-35.3	INSERT, 1/4" TEFLON TUBE	2	SE-10/5	HOSE,VAC 1 1/4"GRAY 5'	1
D-43	NIPPLE, 1/4 HEX BRASS	1	SG-04A	STEM ASM VIT BR CAP ORING	1
D-44.1	NUT, 1/4" INTERLOCK	1	SJ-01.1	NOZZEL,3"UPH-DRL/TAP/POWD	1
D-49	UNION, 1/4 x 1/4 COMP INT	1	SJ-02	NOZZEL,3"UPH W/SWVLCUFF	1
E-14	CUFF, 1 1/2SLIP 1 1/4HOSE	1	SJ-03.5	COVER,3" TOOL STAMPED KR	1
E-14.5	CUFF, SWIVEL 3" UPH	1	SJ-05	TRIGGER,CHROMED-COMPLETE	1
F-09	Q/C 1/4" PLUG BR SHUT OFF	1	SJ-09A	VALVE,3"VIT STD NYL BRCAP	1
G-01	CAP, BRASS	1	SJ-92STD	VALVE, 3" NY MACHINED STD	1
G-02.1	GASKET, LID 3" TOOL	1	SM-40	VIP, STANDARD COMPLETE	1
G-02.2	GASKET, VALVE 3" TOOL	1			

Parts Subject To Change Without Notice

1/25/99