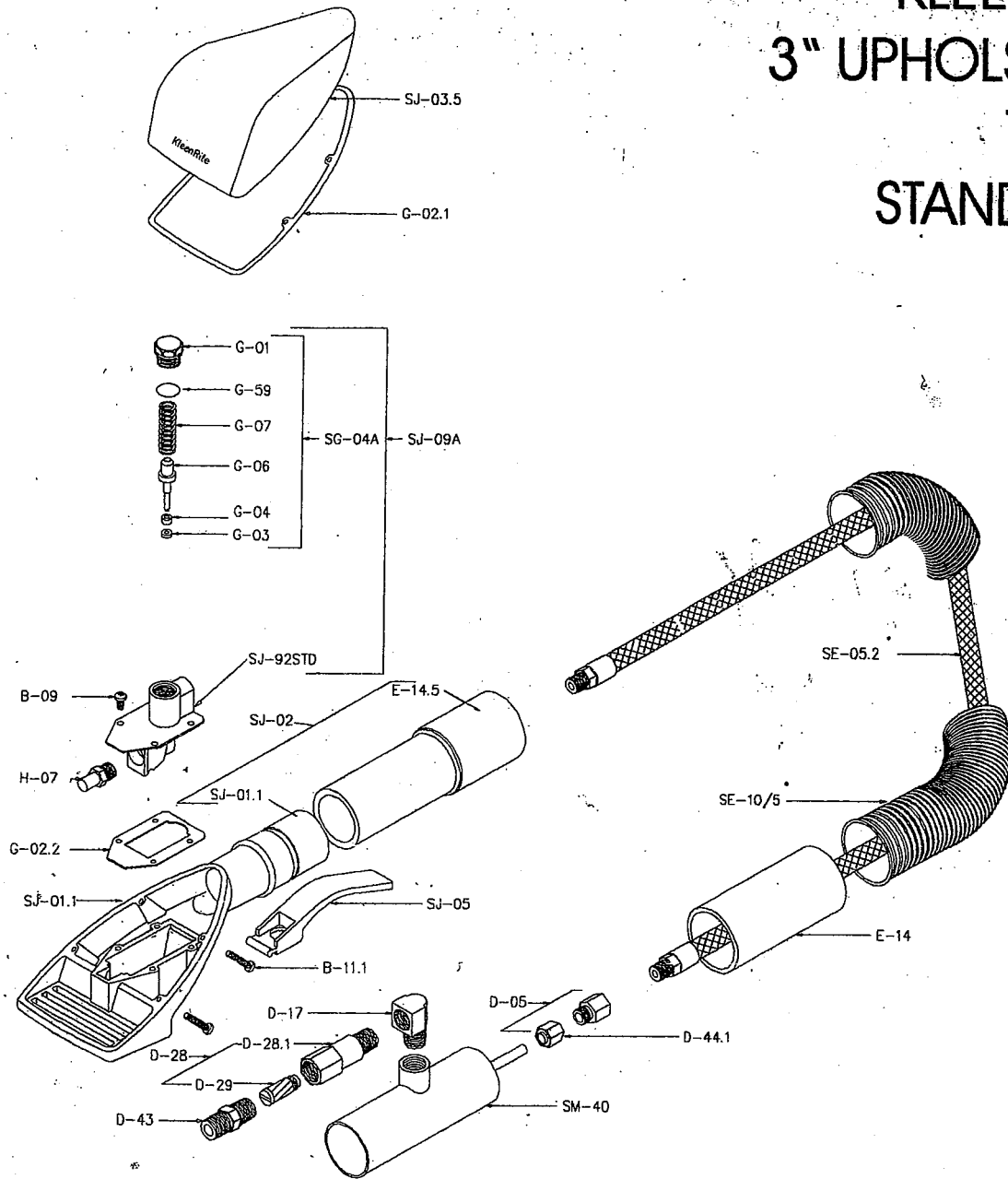


KLEENRITE 3" UPHOLSTERY TOOL STANDARD 20010



Part No.	Description	Qty.	Part No.	Description	Qty.
B-09	6-32 X 1/4 PHXSS	4	G-04	SLEEVE, BRASS, TOOL VALVE	1
B-11.1	6-32 X 3/4 PHILISTER XSS	4	G-06	STEM, VITON, TOOL VALVE	1
D-05	COUP 1/8FPTx1/4COMP INTER	1	G-07	SPRING, LP 3" TOOL VALVE	1
D-17	90 ST ELBOW 1/4" NPT	1	G-59	O-RING, 3" TOOL VALVE CAP	1
D-28	FILTER INLINE 100 MESH	1	H-07	JET, .50 FLOOD SS	1
D-28.1	FILTER BODY	1	SE-05.2	HOSE ASM 60" TYGON W/ENDS	1
D-29	FILTER SCREEN 100 MESH	1	SE-10/5	HOSE,VAC 1 1/4"GRAY 5'	1
D-43	NIPPLE, 1/4 HEX BRASS	1	SG-04A	STEM ASM VIT BR CAP ORING	1
D-44.1	NUT, 1/4" INTERLOCK	1	SJ-01.1	NOZZEL,3"UPH-DRI/TAP/POWD	1
E-14	CUFF, 1 1/2SLIP 1 1/4HOSE	1	J-02	NOZZEL,3"UPH W/SWIVEL CUFF	1
E-14.5	CUFF, SWIVEL 3" UPH	1	SJ-03.5	COVER,3" TOOL STAMPED KR	1
G-01	CAP, BRASS	1	SJ-05	TRIGGER,CHROMED-COMLETE	1
G-02.1	GASKET, LID, 3" TOOL	1	SJ-09A	VALVE,3"VIT STD NYL BRCAP	1
G-02.2	GASKET, VALVE 3" TOOL	1	SJ-92STD	VALVE, 3" NY MACHINED STD	1
G-03	O-RING, VITON, TOOL VALVE	1	SM-40	VIP, STANDARD COMPLETE	1

Parts Subject To Change Without Notice

1/28/99