

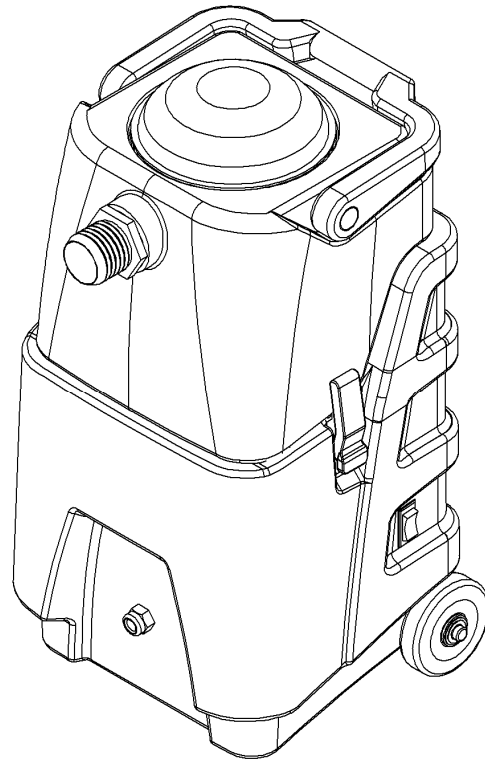
# **KLEENRITE®**

# **75001**

**VAC BOOST**

**Model No.:**  
**75001 –VAC BOOST**

**Operator and Parts Manual**



**KLEENRITE**  
1122 MAPLE STREET  
MADERA CA 93637 U.S.A.

**FAX: 1-559-673-5725**  
**CUSTOMER SERVICE: 1-800-241-4865**

**MNL75001**  
**Rev. 00 (12-09)**

# OPERATION

---

This manual is furnished with each new model. It provides necessary operation and maintenance instructions and an illustrated parts list.

**Read this manual completely and understand the machine before operating or servicing it.**

Use the illustrated Parts Lists to order parts. Before ordering parts or supplies, be sure to have your machine model number and serial number handy. Parts and supplies may be ordered by phone or mail from any authorized parts and service center, distributor or directly from Kleenrite.

This machine will provide excellent service, however, the best results will be obtained at minimum costs if:

The machine is operated with reasonable care.

The machine is maintained regularly – per the maintenance instructions provided.

The machine is maintained with manufacturer supplied or equivalent parts.

---

## MACHINE DATA

---

Please fill out at time of installation for future reference.

Model No.- \_\_\_\_\_

Install. Date- \_\_\_\_\_

Serial No.- \_\_\_\_\_

© Kleenrite

Printed in U.S.A.

Kleenrite Equipment is a registered United States trademark

---

## TABLE OF CONTENTS

---

<b>SAFETY PRECAUTIONS .....</b>	<b>3</b>
<b>MACHINE COMPONENTS .....</b>	<b>4</b>
<b>VAC BOOST SETUP .....</b>	<b>4</b>
<b>VAC BOOST PRE-OPERATION .....</b>	<b>5</b>
<b>VAC BOOST OPERATION .....</b>	<b>5</b>
<b>MAINTENANCE .....</b>	<b>5</b>
<b>STORING VAC BOOST .....</b>	<b>5</b>
<b>SPECIFICATIONS.....</b>	<b>6</b>
<b>ELECTRICAL DIAGRAM.....</b>	<b>6</b>
<b>PARTS LIST.....</b>	<b>7</b>
<b>WARRANTY POLICY .....</b>	<b>9</b>

# OPERATION

---


## SAFETY PRECAUTIONS

---

This machine is intended for commercial use. It is designed to increase the vacuum performance by increasing air flow of a portable or truck mounted carpet cleaning machine. It is not intended to be used as a standalone vacuum but is to be placed in line between the machine and cleaning tool. It is to be used in an indoor environment and is not constructed for any other use.

All operators must read, understand and practice the following safety precautions.

The following safety alert symbols are used throughout this manual as indicated in their description:

 **WARNING:** To warn of hazards or unsafe practices which could result in severe personal injury or death.


**FOR SAFETY:** To identify actions which must be followed for safe operation of equipment.


The following information signals potentially dangerous conditions to the operator or equipment.


### FOR SAFETY:


1. **Do not operate the vac boost:**
  - Unless trained and authorized.
  - Unless operator manual is read and understood.
  - In flammable or explosive areas.
  - With damaged cord or plug.
  - If not in proper operating condition.
  - Unless cord is properly grounded.
  - In standing water.
  - With the use of an ungrounded extension cord.
2. **Before operating vac boost:**
  - Make sure all safety devices are in place and operate properly.
3. **When using vac boost:**
  - Do not run over cord.
  - Do not pull vac boost by plug or cord.
  - Do not pull cord around sharp edges or corners.

- Do not unplug by pulling on cord.
  - Do not stretch cord.
  - Do not handle plugs with wet hands.
  - Keep cord away from heated surfaces.
  - Report vac boost damage or faulty operation immediately.
  - Be sure any chemicals which may have been applied to carpet are safe and non-toxic and non flammable.
4. **Before leaving or servicing vac boost:**
    - Unplug cord from wall outlet.
  5. **When servicing vac boost:**
    - Unplug cord from wall outlet.
    - Use manufacturer supplied or approved replacement parts.

 **WARNING:** Hazardous Voltage. Shock or electrocution can result. Always unplug machine before servicing.

 **WARNING:** Flammable materials can cause an explosion or fire. Do not use vac boost on a floor surface that has flammable chemical on it.

 **WARNING:** Do not operate without vacuum hoses attached to both inlet and outlet of vac boost and the vacuum of the primary cleaning machine running.

 **WARNING:** This appliance is not intended for use by young children or infirm persons without supervision. Young children should be supervised to ensure that they do not play with the appliance.

---

## GROUNDING INSTRUCTIONS

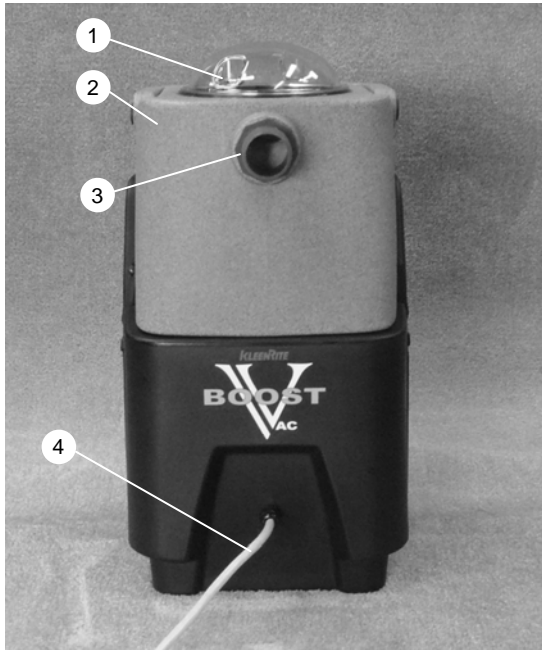
Machine must be grounded. If it should malfunction or breakdown, grounding provides a path of least resistance for electrical current to reduce the risk of electrical shock. This machine is equipped with a cord having an equipment-grounding connector and grounding plug. The plug must be plugged into an appropriate outlet that is properly installed in accordance with all local codes and ordinances. Do not remove ground pin; if missing, replace plug before use. International models will have different cord ends.

# OPERATION

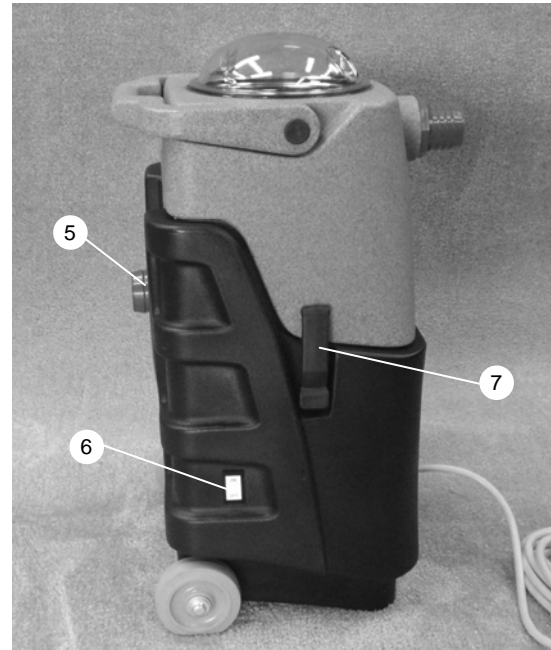
---

## MACHINE COMPONENTS

---



1. Vacuum Lid
2. Vacuum Tank
3. Inlet from Wand
4. Power Cord



5. Outlet to Machine
6. Vacuum Switch
7. Vacuum Tank Latch

## VAC BOOST SETUP

---

1. Carefully check carton for signs of damage. Report damages at once to carrier. The vac boost is shipped fully assembled and is ready for use.
2. The Vac Boost is shipped with four vacuum hose cuffs. (Figure 1). They are to be attached to vacuum hoses you already have. If possible use a 2" hose between the primary machine and Vac Boost as this will minimize vacuum loss. If the primary cleaning machine does not use a 2" vacuum hose a 1 1/2" hose may be used instead. Use a 1 1/2" hose between Vac Boost and cleaning wand.



Fig. 1

## OPERATION

---

3. Connect the hose from the primary cleaning machine to the hose connection at the **base** of the booster tank and the hose going to the wand to the **top** connector on the booster. (Figure 2). Best results will occur if the Vac Boost is closer to the wand than the primary cleaning machine.



Fig. 2

**⚠ WARNING:** Vacuuming flammable materials can cause an explosion or fire. Do not vacuum flammable fluids. Plug Vac Boost's power cord into grounded wall outlet.

**FOR SAFETY:** Do not operate vac boost unless operator manual is read and understood.

---

### PRE-OPERATION

---

1. Inspect power cord for damage.
2. Verify the hoses are connected properly.
3. Be certain that vacuum filter screen with built in vacuum shutoff is properly attached inside vacuum tank (Figure 3).
4. Be certain that removable tank is latched down and vacuum lid is secured.



Fig. 3

---

## OPERATION

---

1. First turn on vacuum of primary cleaning machine. Next, turn on Vac Boost. Note: during operation Vac Boost will automatically empty itself.
2. When finished, turn off Vac Boost and drain by detaching vacuum hoses, unlatching recovery tank and pouring remaining solution out of top barbed fitting (Figure 4).



Fig. 4

---

## MAINTENANCE

---

**FOR SAFETY:** To service vac boost, take to an authorized service agent.

**FOR SAFETY:** Always unplug Vac Boost before removing bottom access door.

---

### DAILY MAINTENANCE (Every 4 Hours of Operation)

1. Wipe off power cord and check for damage, replace if necessary. Coil cord neatly after use.
2. Flush out and rinse vacuum tank.
3. Clean any debris from vacuum filter inside tank.

---

### MONTHLY MAINTENANCE (Every 80 Hours of Operation)

1. Remove bottom access door and inspect for loose wires or bolts.
2. Remove any lint that may have collected on screen on top of vacuum motor.

---

### STORING VAC BOOST

---

1. Store in a dry place.

# OPERATION

## SPECIFICATIONS

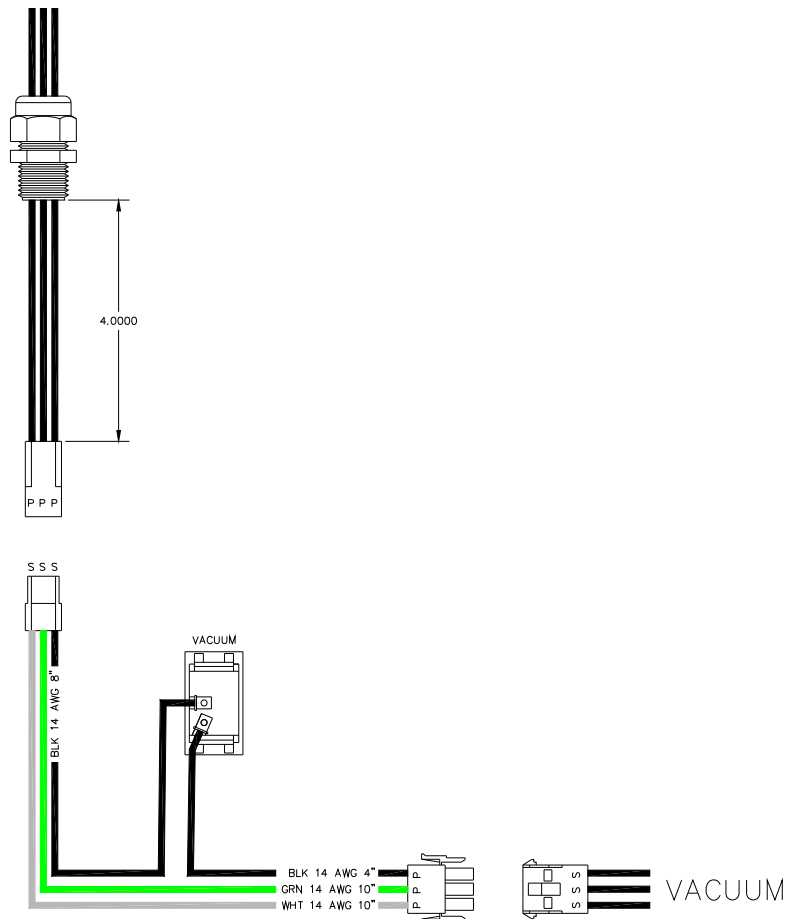
<b>Model</b>	<b>75001</b>
LENGTH	330 mm (13in)
WIDTH	343 mm (13.5 in)
HEIGHT	673 mm (26.5 in)
WEIGHT	13.6 Kg (30 lbs)
VACUUM MOTOR	120V, 11.4A, 1368W
TOTAL POWER CONSUMPTION	120V, 11.4A, 1368W
POWER CORD	7.6m (25 ft) 3/14

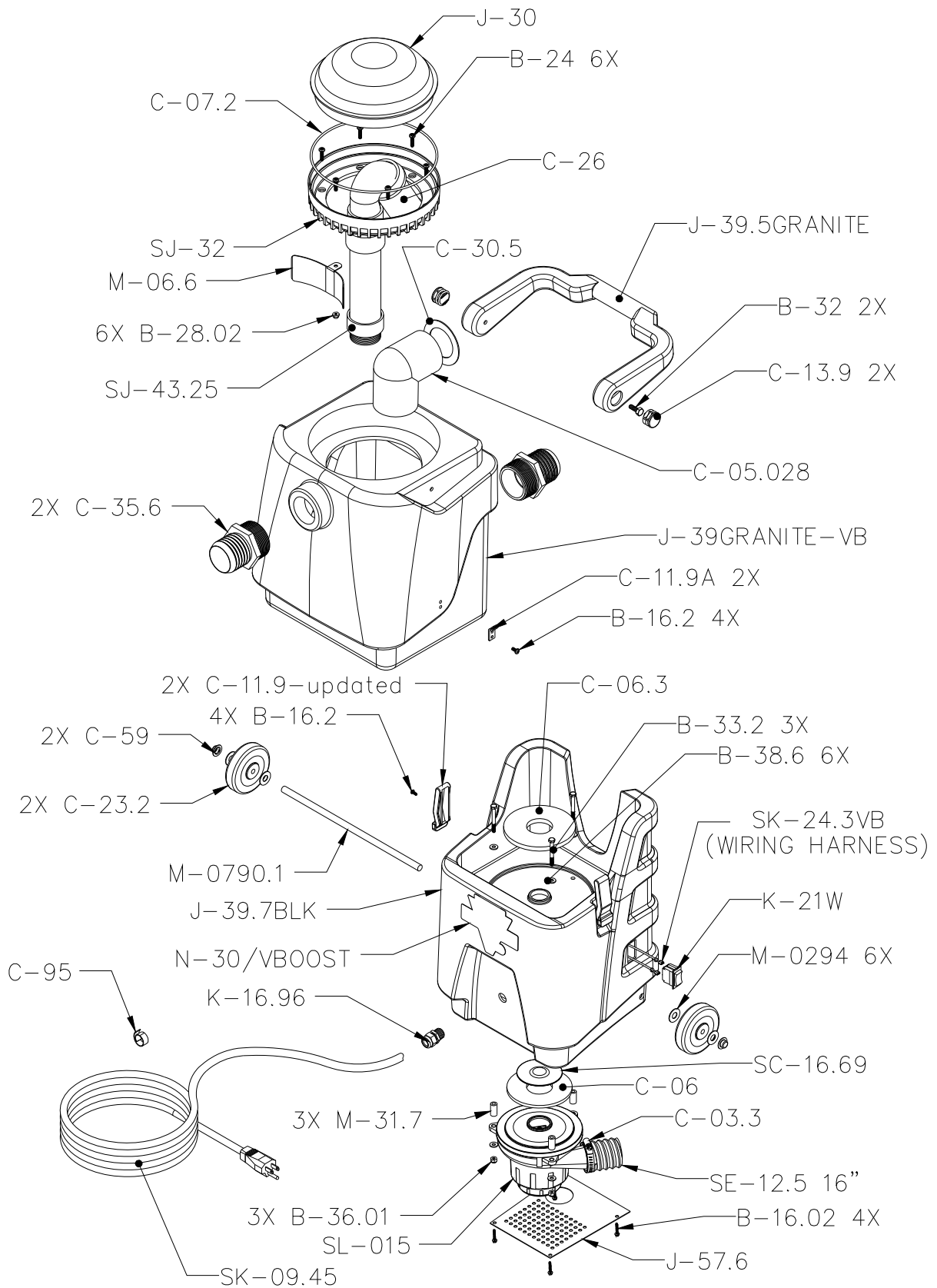
## ELECTRICAL DIAGRAM

**75001**

### 120V WIRING HARNESS DIAGRAM

POWER CORD





Part #	Description	Qty.
B-16.02	8-18 X 1" THRD FORMING SCRW HEX HD	4
B-16.2	8-32 X 3/8 PHXSS	8
B-24	10-32 X 3/4 PHXSS	6
B-28.02	NUT, 10-32 SS NYLOCK	6
B-32	1/4-20 X 3/4 HEX HD CP	2
B-33.2	1/4-20 X 2 1/4 HEX BOLT	3
B-36.01	NUT 1/4-20 NYLOK ZINK	3
B-38.6	WASHER, 1/4 FLAT SS	6
C-03.3	CLAMP, HOSE 2 1/4 #32	1
C-05.028	ELBOW, 90 2"SLP X 2"FPT PVC SHORT	1
C-06	GASKET, BLOWER/ARLON 1/4"	1
C-06.3	GASKET, BLOWER SPHERE 1/2"	1
C-07.2	GASKET, DOME LID	1
C-11.9	LATCH, SOFT DRAW BLACK	2
C-13.9	PLUG, HOLE NYLON 1"OD	2
C-23.2	WHEEL, 4"	2
C-26	FLOAT,VAC SHUT OFF ROTO	1
C-30.5	GASKET, 2"ID RUBBER	1
C-35.6	HOSE BARB, 2"MPT X 2"BARB	2
C-59	PUSHNUT FASTNER, 1/2 CAP	2
C-95	VELCRO, ONE WRAP STRAP 1/2" X 12"	1

Part #	Description	Qty.
E-14.67	CUFF, 2" SLIP X 1 1/2HOSE	2
E-15	CUFF, 2" SLIP 2.000" HOSE	2
J-30	LID, DOME EDGE	1
J-39.5GRANITE	HANDLE,WASTE TANK SPHERE ROTO GRANI	1
J-39.7BLK	BASE, VAC BOOST BLACK	1
J-39GRANITE/VB	WASTE TANK,VB DRILLED GRANITE	1
J-57.6	PLATE, COVER BASE VAC BOOSTER	1
• K-21W	SWITCH, SPST WATER RESIS	1
M-0294	WASHER, 1.125OD X .510ID	6
M-06.6	GUARD, SPLASH INTAKE EDGE	1
M-0790.1	AXEL, ROD 1/2 VAC BOOSTER	1
M-31.7	STAND-OFF, 5.7 1" 3 VAC MACH	3
N-30/VBOOST	LABEL, VAC BOOST	1
SC-16.69	SCREEN,BLOWER GUARD	1
SE-12.5/16	HOSE, 2" FLEX EXH 16"	1
SJ-32	FLANGE, ASM-DOME LID GLUE	1
SJ-43.25	VAC FILTER ASSM COMPLETE W/NECK SPH	1
SK-09.45	ASM, CORD 25' 14/3 SJT TERM	1
SK-24.3VB	HARNESS, VAC BOOST	1
SL-015	BLWR,1STG 120V 6.6 COMP	1

- RECOMMENDED STOCK ITEMS



## **XVAC WARRANTY POLICY**

---

### **LABOR & PARTS POLICY**

---

For the first 12 months from the date of original purchase, upon Kleenrite's determination, product manufacturing defects will be repaired or replaced at no charge for labor and/or parts provided that the machine or part(s) is delivered or shipped freight prepaid to Kleenrite or its designated repair center and provided that a Return Authorization is obtained from Kleenrite prior to machine or part(s) being shipped. (See "How to Obtain a Return Authorization".)

Kleenrite is not responsible to pay for parts supplied by or labor performed by any of its distributors or any general service companies.

### **PARTS ONLY – STANDARD REPLACEMENT POLICY**

---

For the first 12 months from the date of original purchase, in the event that a part believed to be under warranty fails, simply call Kleenrite to obtain a Return Authorization, ship the part freight prepaid to Kleenrite and, Kleenrite will either repair or replace the part at no charge if it is determined that failure was a manufacturing defect. Kleenrite will then ship the repaired or replaced part back to you freight collect. Our service department can usually talk a person through any part replacement procedure in a matter of minutes. There is no charge for this nationwide toll-free service.

### **PARTS ONLY – EMERGENCY REPLACEMENT POLICY**

---

For the first 12 months from the date of original purchase, in the event that a part believed by the registered owner to be under warranty fails and an immediate replacement part is requested before Kleenrite can inspect the part that is suspected to be faulty or have a chance to repair it, Kleenrite will ship the requested part on a COD basis (part plus freight) or if credit has been established prior to the request the part will be shipped on an Open Account basis (part plus freight). A Return Authorization must be requested at the time of order so that the suspected defective part can be returned freight prepaid to Kleenrite for warranty consideration. If after receiving the part, Kleenrite determines that the part has a manufacturing defect and can be repaired, the part will be repaired to normal working condition and returned (freight collect) to the original registered owner as a spare part and no refund will be made. Should Kleenrite determine that the part is covered by warranty and cannot be repaired, Kleenrite will credit an open account customer the same amount as was charged when the replacement part was sent less freight and will refund a COD customer the same way. However, should Kleenrite determine that the part received was not a manufacturing defect, you will be informed of such and credit will not be given nor will the damaged part be returned unless requested specifically to the registered owner.

### **HOW TO OBTAIN A RETURN AUTHORIZATION**

---

Prior to shipping any part, assembly or machine to Kleenrite a Return Authorization Number must be requested from Kleenrite and displayed prominently on the outside of all packages containing parts or machines for warranty consideration to be processed and in effect. A Return Authorization can be obtained by calling Kleenrite Service Department at 1-800-241-4865 or 1-559-673-5700. The machine and/or part serial number must be communicated to Kleenrite Customer Service to receive a Return Authorization Number. Any machine, part or assembly must be returned with its original serial number as affixed by Kleenrite for warranty consideration to be in effect. All returns will be sent to Kleenrite at 1122 Maple Street, Madera Ca. 93637. Fax communications can be sent to 1-559-673-5725 and emails sent to [kleenritemfg.com](mailto:kleenritemfg.com).

# WARRANTY

---

Kleenrite Equipment, Inc. warrants the VAC Boost against defects in material and workmanship under normal use and service. Kleenrite, hereby, extends a limited three-year warranty on the polyethylene machine housing of the VAC Boost against cracking or leaking and a one-year warranty on the rest of the machine against manufacturing defect or workmanship subject to the terms and conditions that follow.

## TERMS AND CONDITIONS

The warranty obligation extends only to the repair or replacement of parts, assemblies or machine housing found upon examination by Kleenrite to be defective in manufacturing or workmanship, and Kleenrite reserves the right to make that determination. Any adjustment or replacement of defective parts made under this warranty does not void the warranty; neither does it extend the original warranty beyond its term.

Repair or replacements of any Vac Boost component(s) with any part(s) other than genuine Kleenrite parts will immediately void this and all warranties.

Seals, gaskets and air fans are considered expendable in normal use and are not covered by this warranty.

Dry cleaning solvents cannot be used in the Vac Boost.

This warranty shall not cover any Vac Boost housing, part or assembly if there is evidence of misuse, alteration, owner neglect, lack of proper maintenance, improper chemical use, improper voltage, abuse, accident, freezing, flood, fire, etc. and any and all circumstances beyond Kleenrite's control.

In no event shall Kleenrite be liable for loss of use, incidental or consequential damages or any damages to persons or property.

**KLEENRITE** 1122 MAPLE STREET, MADERA CA 93637 USA  
Phone 800-241-4865, 559-673-5700; Fax 559-673-5725; Email [kleenritemfg.com](mailto:kleenritemfg.com)

PLEASE RETURN REGISTRATION WITHIN 10 DAYS OF RECEIVING YOUR HEATRITE HEATER.

**SPECIALS:** Check our web site at: [kleenritemfg.com](http://kleenritemfg.com) for parts and equipment price specials.

## KEEP THIS COPY FOR YOUR RECORDS

WARRANTY REGISTRATION	Date Received
	Registered Owner(s)
	Address
	Phone Number
	Fax Number
	Email Address
	Heater Serial Number
	Purchased From (Distributor)

# WARRANTY

---

Kleenrite Equipment, Inc. warrants the VAC Boost against defects in material and workmanship under normal use and service. Kleenrite, hereby, extends a limited three-year warranty on the polyethylene machine housing of the VAC Boost against cracking or leaking and a one-year warranty on the rest of the machine against manufacturing defect or workmanship subject to the terms and conditions that follow.

## TERMS AND CONDITIONS

The warranty obligation extends only to the repair or replacement of parts, assemblies or machine housing found upon examination by Kleenrite to be defective in manufacturing or workmanship, and Kleenrite reserves the right to make that determination. Any adjustment or replacement of defective parts made under this warranty does not void the warranty; neither does it extend the original warranty beyond its term.

Repair or replacements of any Vac Boost's component(s) with any part(s) other than genuine Kleenrite parts will immediately void this and all warranties.

Seals, gaskets and air fans are considered expendable in normal use and are not covered by this warranty.

Dry cleaning solvents cannot be used in the Vac Boost.

This warranty shall not cover any Vac Boost housing, part or assembly if there is evidence of misuse, alteration, owner neglect, lack of proper maintenance, improper chemical use, improper voltage, abuse, accident, freezing, flood, fire, etc. and any and all circumstances beyond Kleenrite's control.

In no event shall Kleenrite be liable for loss of use, incidental or consequential damages or any damages to persons or property.

**KLEENRITE** 1122 MAPLE STREET, MADERA CA 93637 USA  
Phone 800-241-4865, 559-673-5700; Fax 559-673-5725; Email [kleenritemfg.com](mailto:kleenritemfg.com)

PLEASE RETURN REGISTRATION WITHIN 10 DAYS OF RECEIVING YOUR HEATRITE HEATER.

**SPECIALS:** Check our web site at: [kleenritemfg.com](http://kleenritemfg.com) for parts and equipment price specials.

## PLEASE RETURN THIS ENTIRE SHEET

WARRANTY REGISTRATION	Date Received
	Registered Owner(s)
	Address
	Phone Number
	Fax Number
	Email Address
	Heater Serial Number
	Purchased From (Distributor)