

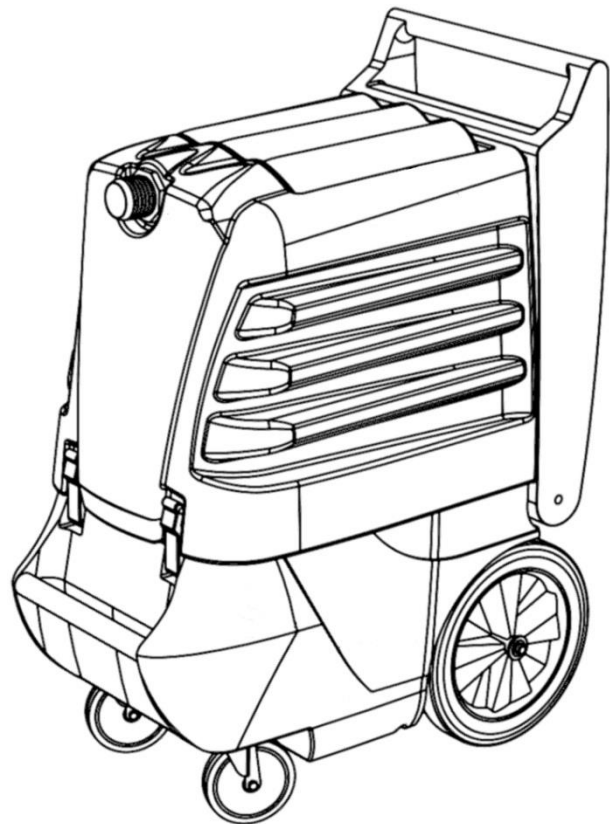
KLEENRITE®

36306

MegaXL Water Extractor and Pump

Model No.:
36306 – 15 gal Extractor
36306CETL (Canada)

Operator and Parts Manual



CAUTION: Read the instruction manual before using the appliance.



KLEENRITE
1122 MAPLE STREET
MADERA CA 93637 U.S.A.

FAX: 1-559-673-5725
CUSTOMER SERVICE: 1-800-241-4865

MNL36306 & MNL36306CETL
Rev. 03 (02-22)

IMPORTANT SAFETY INSTRUCTIONS

When using an electrical appliance, basic precautions must always be followed, including the following:

READ ALL INSTRUCTIONS BEFORE USING THIS MACHINE.

This machine is for commercial use.



WARNING: To reduce the risk of fire, electric shock, or injury:

Do not operate machine unless trained and authorized.

Connect to a properly grounded outlet. See grounding instructions.

The appliance is not to be used by children or persons with reduced physical, sensory or mental capabilities, or lack of experience and knowledge, unless they have been given supervision or instruction.

Children are to be supervised not to play with the appliance.

This appliance is suitable for commercial use, for example in hotels, schools, hospitals, factories, shops, offices, and rental businesses. It is designed to clean upholstery and drapery in an indoor environment and is not constructed for any other use. Use only cleaning solutions that are recommended.

Regularly examine the supply cord for damage. If damaged, replace the cord specified before further use.

If the supply cord is damaged, it must be replaced by the manufacturer, its service agent, or similarly qualified persons in order to avoid a hazard.

Do not run machine over cord. Keep cord away from heated surfaces.

Do not unplug machine by pulling on cord. Do not stretch cord or handle the ends of the cord with wet hands.

Do not pull machine by plug or cord. Do not pull cord around sharp edges or corners.

Do not use damaged electrical cord or plug. Follow all instructions in this manual concerning the proper grounding of this machine. If the machine is not working properly, has been dropped, left outdoors, or dropped in water, return it to an authorized service center. Do not operate in this condition.

Do not leave machine unattended. Unplug machine when not in use and before maintenance or service.

Use only indoors. Do not use outdoors or exposed to rain.

Use only as described in this manual. Use only manufacturer's supplied replacement parts.

Turn off all controls before unplugging.

This machine is not suitable for picking up hazardous dust.

If foam, water or dust is observed leaving the machine, switch off immediately.

Do not vacuum anything that is burning or smoking, such as matches, cigarettes, or hot ashes.

Save these instructions

CONSIGNES DE SÉCURITÉ IMPORTANTES

L'utilisation d'un appareil électrique demande certaines précautions:

LIRE TOUTES LES INSTRUCTIONS AVANT D'UTILISER CETTE MACHINE.

Cette machine est pour un usage commercial.



AVERTISSEMENT:

Pour réduire le risque d'incendie, d'électrocution ou de blessures :

N'utilisez pas la machine à moins formés et habilités.

Se connecter à une prise correctement reliée à la terre. Voir les instructions de la terre.

L'appareil est ne peut être utilisé par des enfants ou des personnes ayant des capacités physiques, sensorielles ou mentales réduites, ou de manque ou d'expérience et de connaissance, sauf si elles ont été aidées ou instruites.

Les enfants doivent être surveillés ne pas pour jouer avec l'appareil.

Cet appareil convient pour un usage commercial, par exemple dans des hôtels, écoles, hôpitaux, usines, magasins, bureaux et entreprises de location. Il est conçu pour mouiller le revêtement propre propre ou sec et drapé dans un environnement fermé et n'est pas construit pour tout autre usage. Seulement recommandé d'utiliser des solutions et outils de l'accessoires de nettoyage

Examiner régulièrement le cordon d'alimentation pour les dommages. Si endommagé, remplacez le cordon spécifié avant d'utiliser.

Si le cordon d'alimentation est endommagé, il doit être remplacé par le fabricant, son agent de maintenance ou personnes de qualification similaire afin d'éviter un danger.

Ne pas passer de machine sur cordon. Gardez le cordon des surfaces chaudes.

Ne pas débrancher la machine en tirant sur le cordon. Ne pas étirer le cordon ou gérer les extrémités de la corde avec les mains mouillées.

Ne pas tirer la machine par la fiche ou le cordon. Ne pas tirer le cordon sur des arêtes ou des coins.

Ne pas utiliser si le cordon électrique ou prise. Suivez toutes les instructions de ce manuel concernant la mise à la terre correcte de cette machine. Si la machine ne fonctionne pas correctement, a été abandonnée, laissée à l'extérieur ou jetée dans l'eau, retournez-le à un centre de service autorisé. N'utilisez pas dans cet État.

Ne laissez pas de machine sans surveillance. Débranchez la machine quand pas en service et avant l'entretien ou de réparation.

Utiliser uniquement à l'intérieur. Ne pas utiliser en plein air ou exposé à la pluie.

Utilisation uniquement comme décrit dans ce manuel. Utilisez uniquement des pièces de rechange fourni du fabricant.

Désactiver tous les contrôles avant de le débrancher.

Cette machine ne convient pas pour ramasser les poussières dangereuses.

Si on observe les mousse ou poussière laisse la machine, éteignez immédiatement.

N'aspirez pas tout ce qui brûle ou fumer, tels qu'allumettes, cigarettes ou des cendres chaudes.

Conservez ces instructions

OPERATION

This manual is furnished with each new model. It provides necessary operation and maintenance instructions and an illustrated parts list.

Read this manual completely and understand the machine before operating or servicing it.

Use the illustrated Parts Lists to order parts. Before ordering parts or supplies, be sure to have your machine model number and serial number handy. Parts and supplies may be ordered by phone or mail from any authorized parts and service center, distributor or directly from Kleenrite.

This machine will provide excellent service. However, the best results will be obtained at minimum costs if:

The machine is operated with reasonable care.

The machine is maintained regularly – per the maintenance instructions provided.

The machine is maintained with manufacturer supplied or equivalent parts.

MACHINE DATA

Please fill out at time of installation for future reference.

Model No.- _____

Install. Date- _____

Serial No.- _____

© Kleenrite

Printed in U.S.A.

Kleenrite is a registered United States trademark

TABLE OF CONTENTS

SAFETY PRECAUTIONS	5
MACHINE COMPONENTS	7
MACHINE SETUP	7
MACHINE OPERATION	8
MACHINE MAINTENANCE	9
STORING MACHINE.....	10
RECOMMENDED STOCK ITEMS	10
TROUBLE SHOOTING	10
SPECIFICATIONS.....	11
ELECTRICAL DIAGRAM.....	12
PARTS LIST	13
WARRANTY POLICY	19


OPERATION


SAFETY PRECAUTIONS

This machine is intended for commercial use. It is designed to extract water from carpet and hard surfaces and then pump it away from the machine. It is not constructed for any other use.

All operators must read, understand and practice the following safety precautions.

The following safety alert symbols are used throughout this manual as indicated in their description:

 **WARNING: To warn of hazards or unsafe practices which could result in severe personal injury or death.**

 **AVERTISSIMENT: Pour nous avertir des dangers ou des pratiques dangereuses qui pourraient résulter des blessures graves, voire mortelles.**


FOR SAFETY: To identify actions which must be followed for safe operation of equipment.

The following information signals potentially dangerous conditions to the operator or equipment.


FOR SAFETY:

1. **Do not operate machine:**
 - Unless trained and authorized.
 - Unless operator manual is read and understood.
 - Around explosive or flammable vapors.
 - To extract flammable or explosive liquids.
 - With damaged cord or plug.
 - If not in proper operating condition.
 - Unless cord is properly grounded.
 - As a dry vacuum.
 - In standing water.
 - With the use of an extension cord.
2. **Before operating machine:**
 - Make sure all safety devices are in place and operate properly.

3. **When using machine:**
 - Do not run machine over cord.
 - Do not pull machine by plug or cord.
 - Do not pull cord around sharp edges or corners.
 - Do not unplug by pulling on cord.
 - Do not stretch cord.
 - Do not handle plugs with wet hands.
 - Do not allow water or foam to enter vacuum. Float ball is not activated by foam. Damage not covered by warranty will result.
 - Keep cord away from heated surfaces.
 - Report machine damage or faulty operation immediately.
 - Use defoamer to protect vacuums. If foam exits machine turn it off immediately.
 - Be certain submersible pump is secured in bottom of tank.
4. **Before leaving or servicing machine:**
 - Turn off machine.
 - Unplug cord from wall outlet.
 - Drain all recovered solution from tank.
5. **When servicing machine:**
 - Unplug cord from wall outlet.
 - Avoid moving parts. Do not wear loose jackets, shirts, or sleeves.
 - Use manufacturer supplied or approved replacement parts.
 - Have service performed by authorized service person.

 **WARNING: Hazardous Voltage. Shock or electrocution can result. Always unplug machine before servicing.**

 **AVERTISSIMENT : Tension dangereuse. Choc ou électrocution peut entraîner. Débranchez toujours l'appareil avant l'entretien.**

 **WARNING: Flammable materials can cause an explosion or fire. Do not vacuum into tank.**

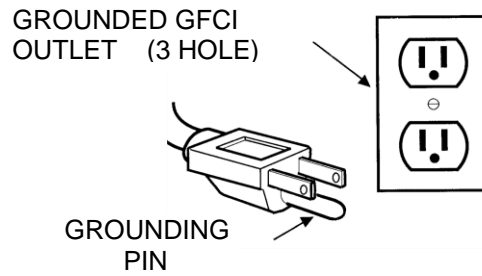
 **AVERTISSIMENT : Matériaux inflammables peuvent causer une explosion ou un incendie. N'aspirez pas dans le réservoir.**

OPERATION

GROUNDING INSTRUCTIONS

Machine must be grounded. If it should malfunction or breakdown, grounding provides a path of least resistance for electrical current to reduce the risk of electrical shock. This machine is equipped with a cord having an equipment-

grounding connector and grounding plug. The plug must be plugged into a GFCI outlet that is properly installed in accordance with all local codes and ordinances. Do not remove ground pin; if missing, replace plug before use. International models will have different cord ends.

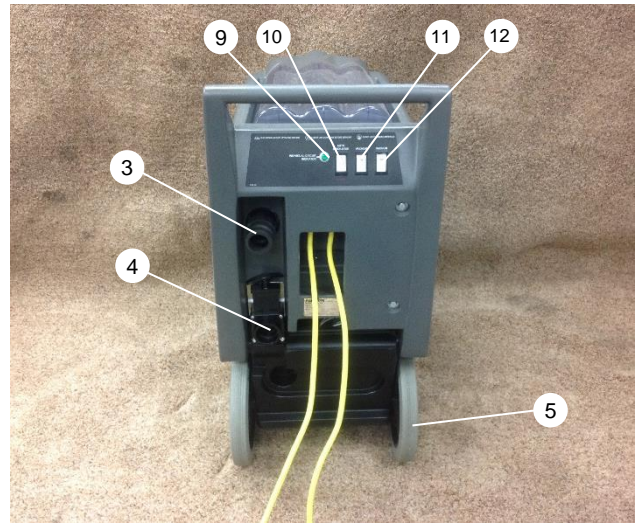


OPERATION

MACHINE COMPONENTS



1. Vacuum Inlet
2. Power Cords
3. Discharge Connector
4. Manual Drain
5. 10" Wheels
6. Vacuum Lid



7. Handle
8. Tank Latch
9. Separate Circuit Indicator Light
10. Discharge Pump Switch
11. Vacuum #1 Switch
12. Vacuum #2 Switch

MACHINE SETUP

1. Connect hoses and tool to be used. Attach the supplied 1 1/2" hose to the connector on the back of the machine (Figure 1).



Fig. 1

2. Look inside recovery tank and be certain that submersible pump is securely held in place by the bracket on the bottom of the tank. Confirm that the white hose coming from the pump is attached to the clear check valve Figure 2). Also be certain that no debris is obstructing the inlet holes at the base of the pump



Fig. 2

⚠ WARNING: Do not vacuum up flammable materials as they could cause an explosion or fire.

⚠ AVERTISSIMENT: N'aspirez pas des matériaux inflammables comme ils pourraient causer une explosion ou un incendie.

3. Plug machine's power cords into GFCI wall outlets on separate circuits. Green circuit indicator light on switch panel illuminated confirms connection to separate circuits. (Figure 3). Lock front wheels (Canada only) (Figure 4).

OPERATION

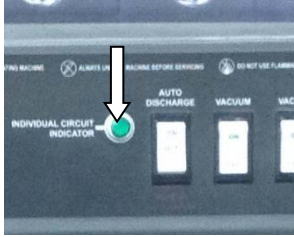


Fig. 3

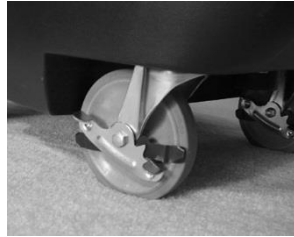


Fig. 4

4. Place recovery tank lid in operating position (Figure 5).



Fig. 5

MACHINE OPERATION

PRE-OPERATION

1. Inspect power cord for damage.
2. Turn on empty-out pump (Figure 6). The discharge pump will not come on when the "Auto Discharge" switch is turned "ON". Note: the "Auto Discharge" switch must be turned on in order for the discharge pump to evacuate the recovered water. Turn this pump "OFF" when done with job.



Fig. 6

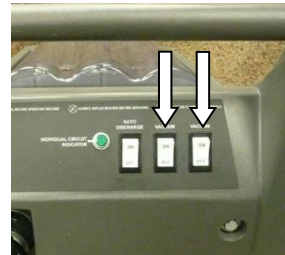


Fig. 7

3. Securely fasten dump hose and drain to an appropriate area designated approved by local code.

EXTRACTING WATER

1. Activate both vacuums (Figure 7).
2. Take extraction wand in hand and move the tool in short forward and backward strokes.

WHILE OPERATING

1. Overlap each path by 50 mm (2 in).
2. Periodically check for excessive foam buildup in recovery tank. Use a recommended foam control solution to prevent vacuum motor damage.

ATTENTION: Excessive foam buildup will not activate the float shut-off screen.

ATTENTION: Discharge pump will not pump foam. Use a defoamer.

USING THE MEGAXL WITH WEIGHTED EXTRACTION TOOL

1. If using a weighted extraction tool with the MEGAXL in a full lockdown condition, periodically remove the vacuum release plug from the vacuum lid (Figure 8). After a few minutes it can be returned to its normal operating position to achieve maximum vacuum. This action on the part of the operator is necessary to prevent overheating of the vacuum.



Fig. 8

DRAINING RECOVERY TANK

1. Turn off machine after majority of water has been pumped out by discharge pump.
2. Insert supplied 45° elbow in drain valve. Place a bucket below it and slowly pull up on handle (Figure 9).



Fig. 9

OPERATION

MACHINE MAINTENANCE

To keep machine in good working condition simple follow machine's daily, weekly, and monthly maintenance procedures.

For Safety: When servicing machine, unplug cord from wall outlet.

DAILY MAINTENANCE (Every 4 hours of Operation)

1. Empty and rinse out recovery tank thoroughly.
2. Remove float shut-off screen from recovery tank and clean (Figure 10).

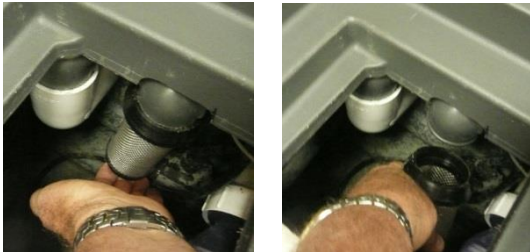


Fig. 10

3. Wipe off power cord and check for damage. Replace if necessary. Coil cord neatly after use.
4. Clean machine with an all purpose cleaner and damp cloth.
5. Remove the 2 nuts that hold the black elbow and position the hose away from the pump clearing the way so the pump can be removed from the tank (Figure 11).

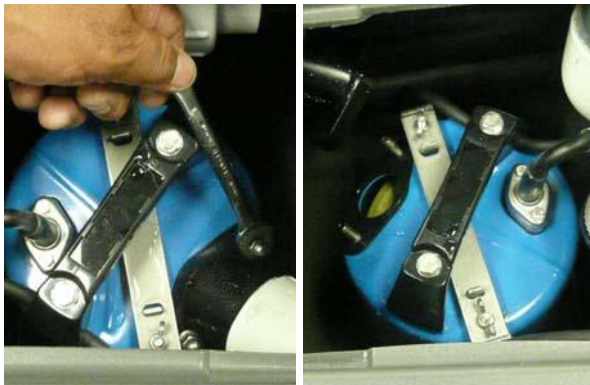


Fig. 11

6. Remove wing nuts holding bracket to the top of the pump as seen in Figure 12 Note its position so it can be returned to this location.
7. Lift the discharge pump through the hole in the top of the waste (Figure 12).



Fig. 12

8. Remove lint and debris from filter on bottom of pump. Remove base filter if necessary.

WEEKLY MAINTENANCE Every 20 hours of operation

1. Inspect vacuum hoses for holes and loose cuffs.
2. Lubricate metal shaft on recovery tank drain.
3. Periodically it may be necessary to open the base of the discharge pump and remove accumulated fiber or debris. Remove the 3 bolts at the bottom of the pump and the perforated base cap (Figure 13).
4. Slide the plate off the pump and clean the pump



Fig. 13

impeller (Figure 14). Reassemble the pump and return it to the tank. Reattach the holding bracket and black elbow to the pump.



Fig. 13

OPERATION

MONTHLY MAINTENANCE (Every 80 hours of operation)

1. Lubricate wheels with water resistant oil.
2. Inspect machine for water leaks and loose hardware.
3. Open machine and inspect wiring and replace wiring harness if signs of corrosion or heat.

STORING MACHINE

1. Before storing machine, be certain to drain and rinse tank
2. Store machine in a dry area in an upright position.
3. Open recovery tank lid to promote air circulation.

RECOMMENDED STOCK ITEMS

Refer to Parts List section for recommended stock items. Stock items are clearly identified with a bullet preceding the part number. See example below.

PART #	DESCRIPTION	QTY.
J-30.	LID, DOME	1
• J-38GRANITE	TOP,SOL TANK ROTO GRANITE	1
J-39.5GRANITE	HANDLE,WASTE TANK ROTO GRANI	1
J-39GRANITE	WASTE TANK, ROTO GRANITE	1

TROUBLE SHOOTING

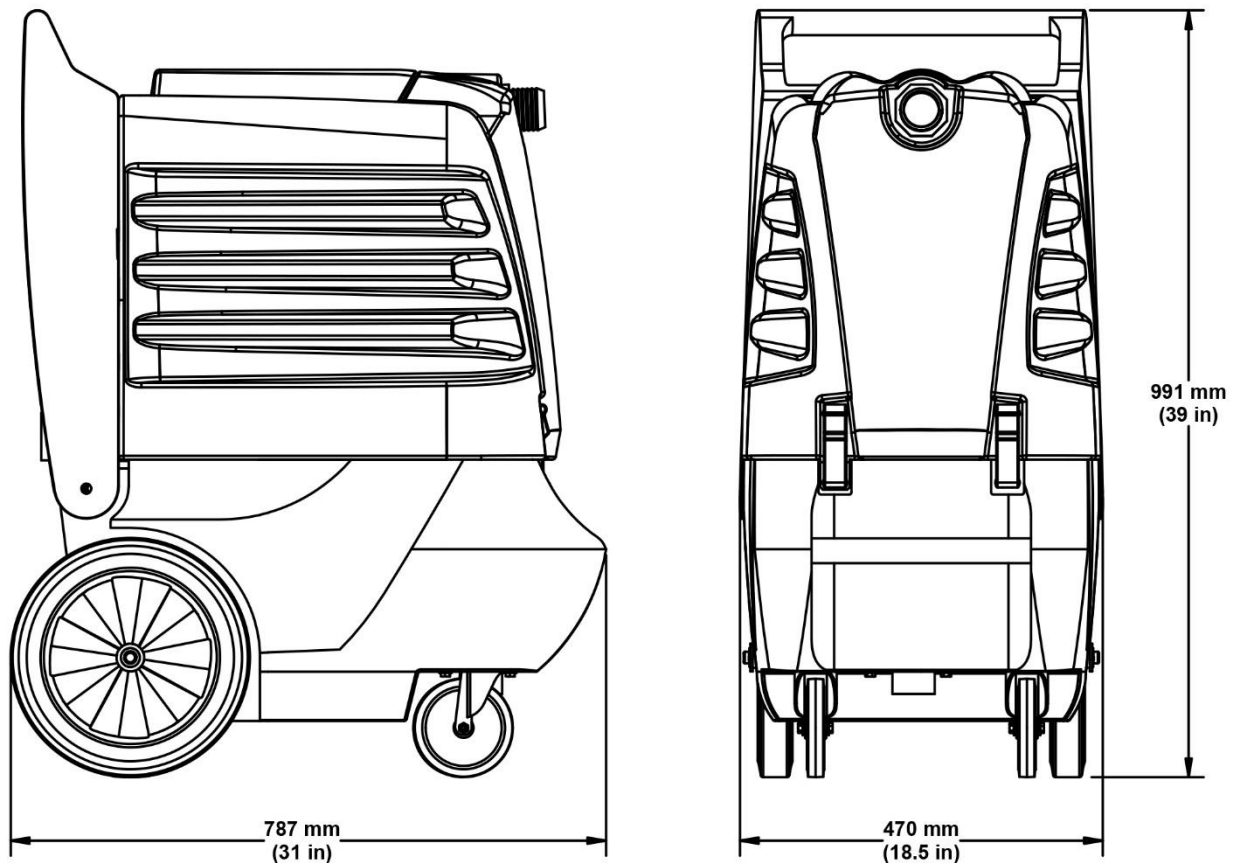
PROBLEM	CAUSE	SOLUTION
Machine does not operate.	Faulty switches or wiring.	Contact Service Center.
	Faulty power cord.	Contact Service Center.
	Building circuit breaker tripped.	Reset Breaker.
Vacuum motor does not operate.	Loose or broken wiring.	Contact Service Center.
	Faulty vacuum switch.	Contact Service Center.
	Defective vacuum motor.	Contact Service Center.
	Worn carbon brushes.	Contact Service Center.
Flood pump does not work	Faulty switch or wiring.	Contact Service Center.
	Filter screen clogged	Clean filter screen under flood pump.
	Output of flood pump disconnected.	Connect quick coupler in waste tank.
	Small diameter garden hose	Use 1 1/2" minimum diameter waste hose.
Flood pump does not discharge fast enough	Pump filter screen plugged with debris.	Clean filter screen
	Check valve plugged with debris	Clean or replace check valve.
	Recovery tank drain valve open.	Close valve.
Poor solution pick-up.	Defective recovery tank lid gasket.	Replace gasket.
	Clogged float shut-off screen.	Remove recovery tank lid and clean screen.
	Loose vacuum hose connections.	Secure cuffs to hose.
	Defective vacuum hose.	Replace hose.

OPERATION

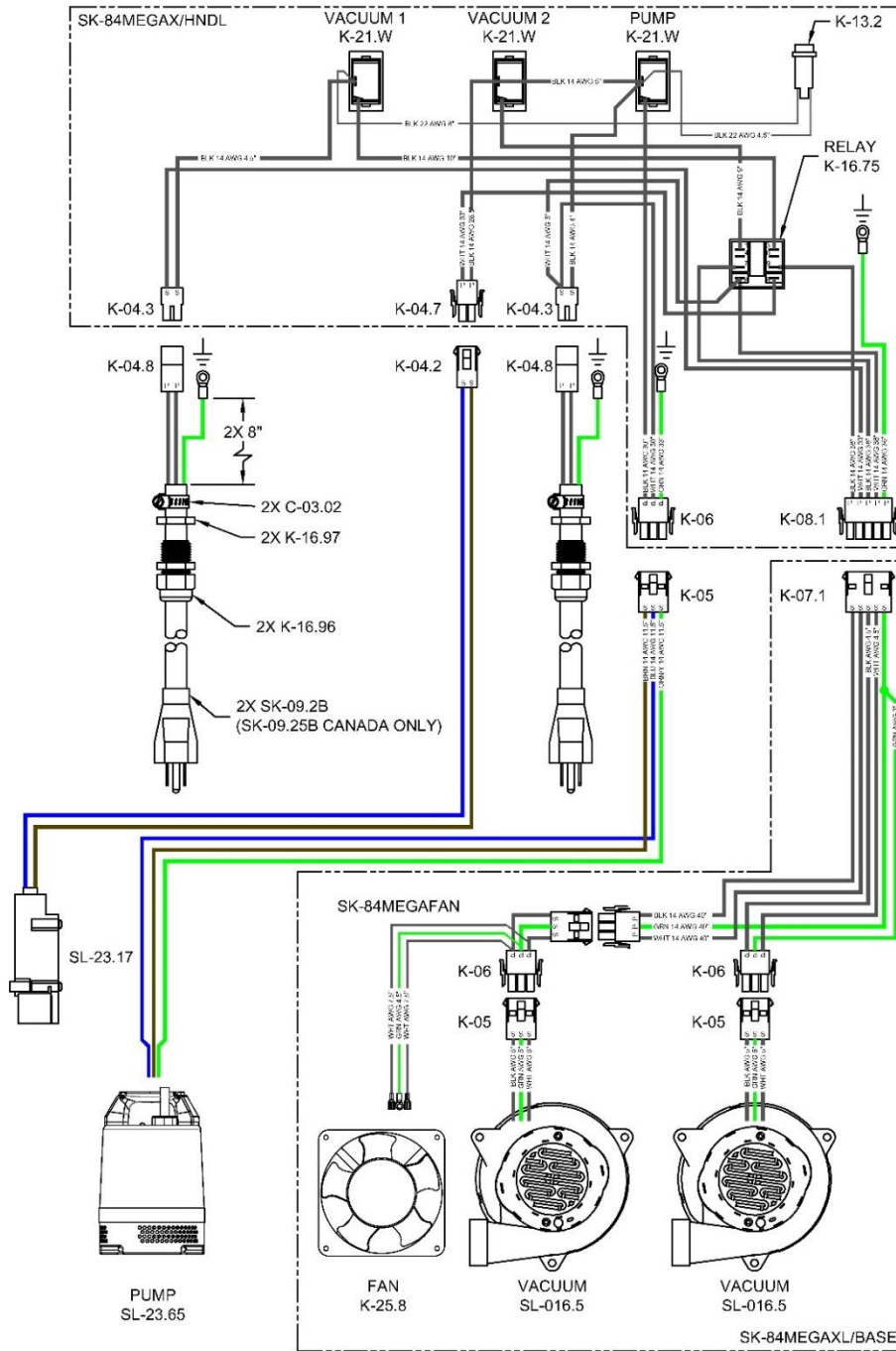
SPECIFICATIONS

Model	36306 & 36306CETL
LENGTH	787 mm (31 in)
WIDTH	470 mm (18.5 in)
HEIGHT	991 mm (39 in)
WEIGHT	54.9 Kg (121lbs)
RECOVERY TANK CAPACITY	56.7 L (15 gal)
DISCHARGE PUMP	120 V, 238 LPM (63 GPM), 5.1 A
VACUUM MOTORS	2 @ 120 V, 12.5 A, 1500 W
SEALED WATER LIFT	3048 mm (120 in) 6.76 CMM (239 CFM calculated)
TOTAL POWER CONSUMPTION	CIR 1– 120V,17.5A, 2100W CIR 2– 120V, 12.5A, 1500W
POWER CORDS	2 @ 7.6m (25 ft) 3/12
DECIBEL RATING 3 METERS (10 FT) FROM MACHINE ON CARPET	<71 db(A)

MACHINE DIMENSIONS



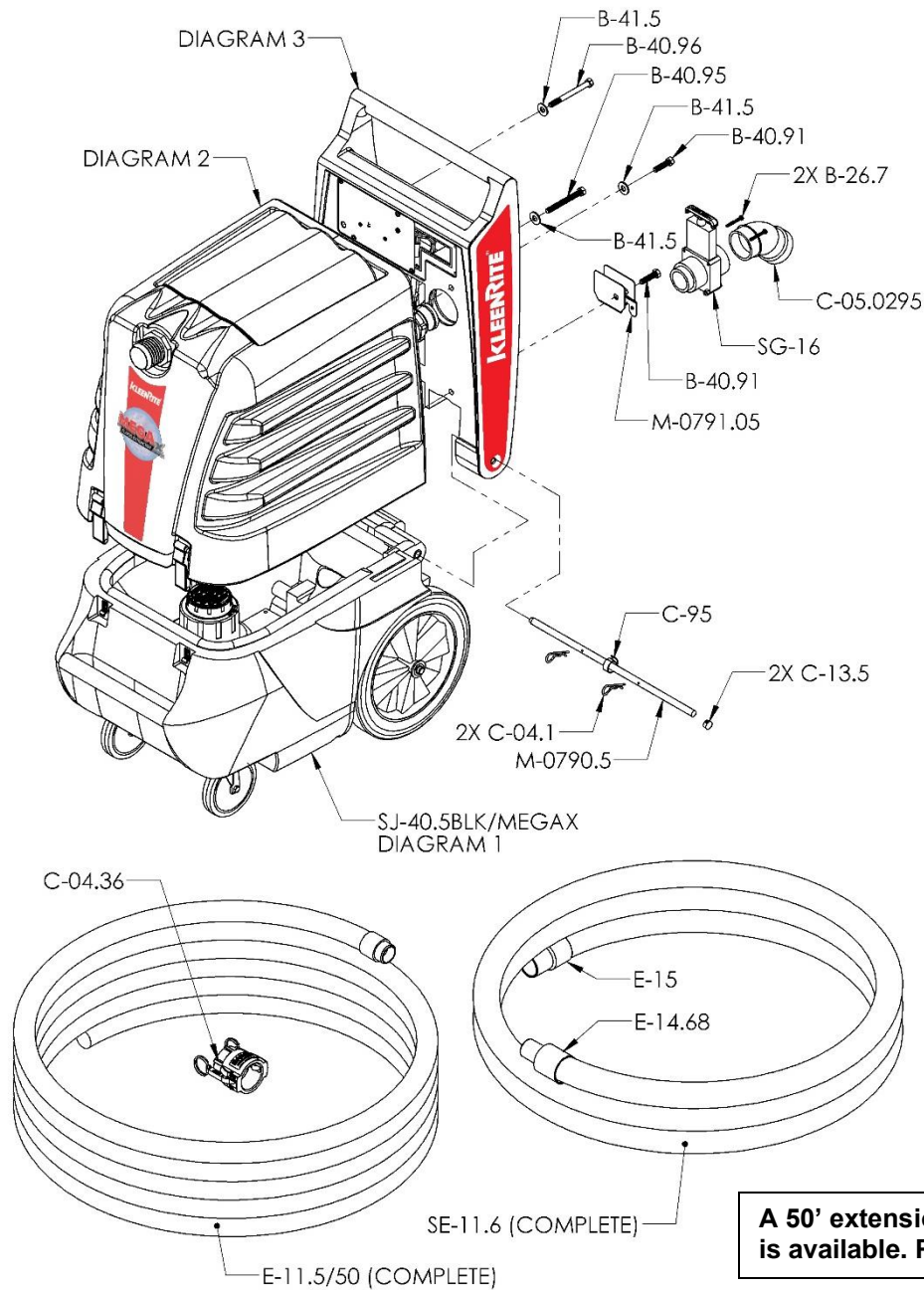
120 V WIRING DIAGRAM



Part #	Description	Qty.
C-03.02	CLAMP, HOSE 1/4 #4	2
K-13.2	LIGHT, GREEN ROUND	1
K-16.75	RELAY, 120V EDGE DPDT 25AMP	1
K-16.96	BUSHING,RELIEF 1/2 NPT	2
K-16.97	NUT,NYLON BUSHING REL.1/2	2

Part #	Description	Qty.
K-21.W	SWITCH, SPST WATER RESIS	3
SK-09.25B	CORD, 25' 12/3 SJTW 20 AMP W/TERM	2
SK-84MEGAX/BASE	HARNESS, MEGAX BASE VVP	1
SK-84MEGAX/HNDL	HARNESS, MEGAX HNDL C2V C1VP(A/M)	1
SL-23.17	SWITCH, SUB PUMP 115/220V HL TERM	1

GROUP ONE

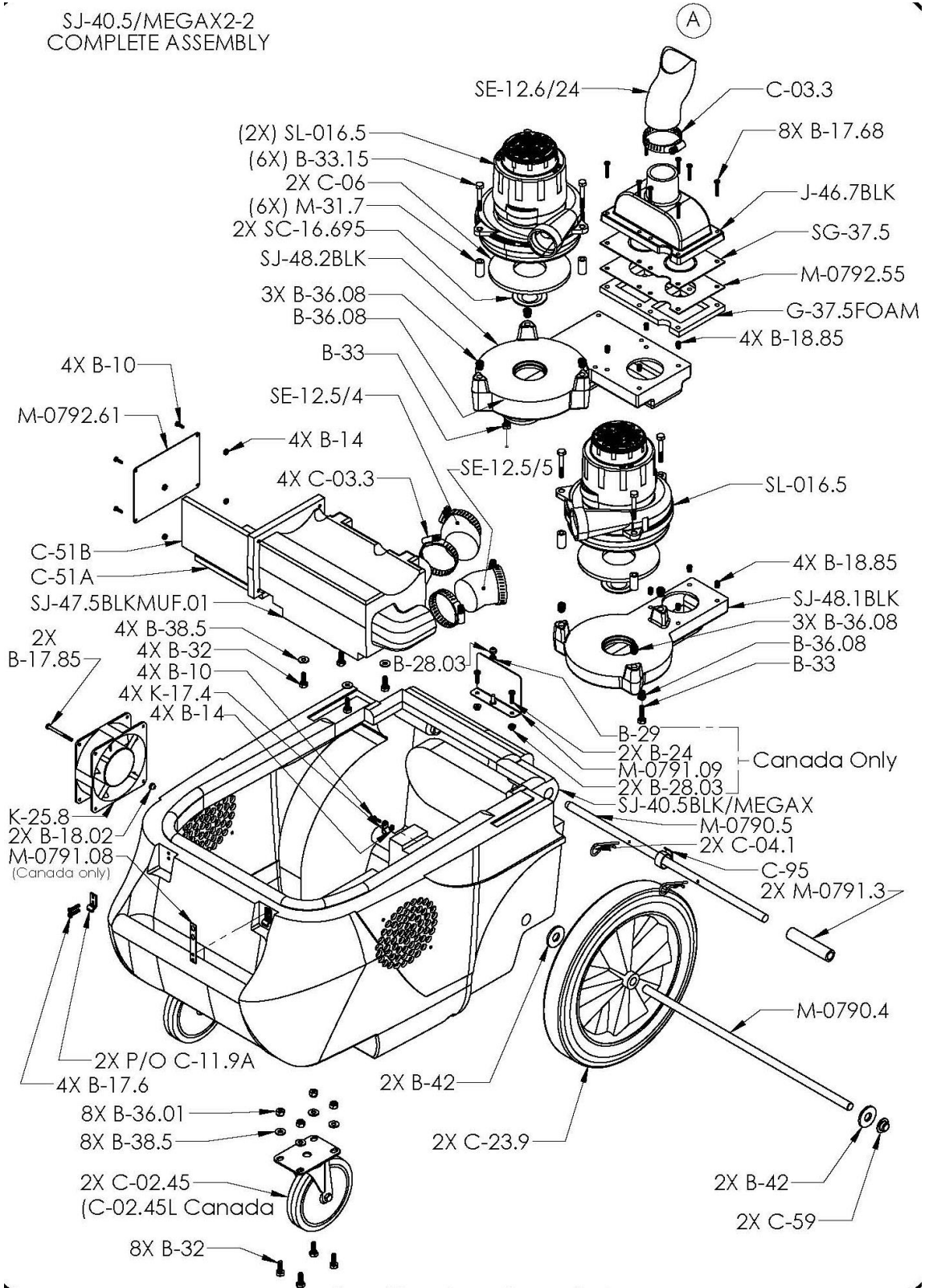


Part #	Description	Qty
B-26.7	10-32 X 1 1/2 PHXZINC	2
B-40.91	3/8-16 X 1 1/2 HEX ZINC	2
B-40.95	3/8-16 X 3 1/2 HEX ZINC	1
B-40.96	3/8-16 X 4 HEX ZINC	1
B-41.5	WASHER, 3/8 FLAT ZINC	3
C-04.1	COTTER, HAIRPIN 7/16-9/16	2
C-04.36	COUPLER, QC SHANK 1-1/2X1-1/2	1
C-05.0295	ELBOW, 45ST 2"SLIP ABS	1
C-13.5	PLUG, HOLE NYLON .562	2

Part #	Description	Qty
C-95	VELCRO, ONE WRAP STRAP 1/2" X 12"	3
E-11.5/50	HOSE, 1 1/2" GRAY FLEX WASTE W/CONN	1
E-14.68	CUFF, 1 1/2SLIP X 2" HOSE	1
E-15	CUFF, 2" SLIP 2.000" HOSE	1
M-0790.5	AXLE, ROD 1/2 EDGE ECONO	1
M-0791.05	BRACKET, DUMP VAL MNT EDGE	1
SE-11.6	HOSE, 2"X25' W/ 2"X1.5"CUFF	1
SG-16	VALVE, DUMP 1.5 W/PVC EXT	1
SJ-40.5BLK/MEGAX	BASE, BLK DRLD 12"WHL MEGAX	1

BASE GROUP

SJ-40.5/MEGAX2-2
COMPLETE ASSEMBLY



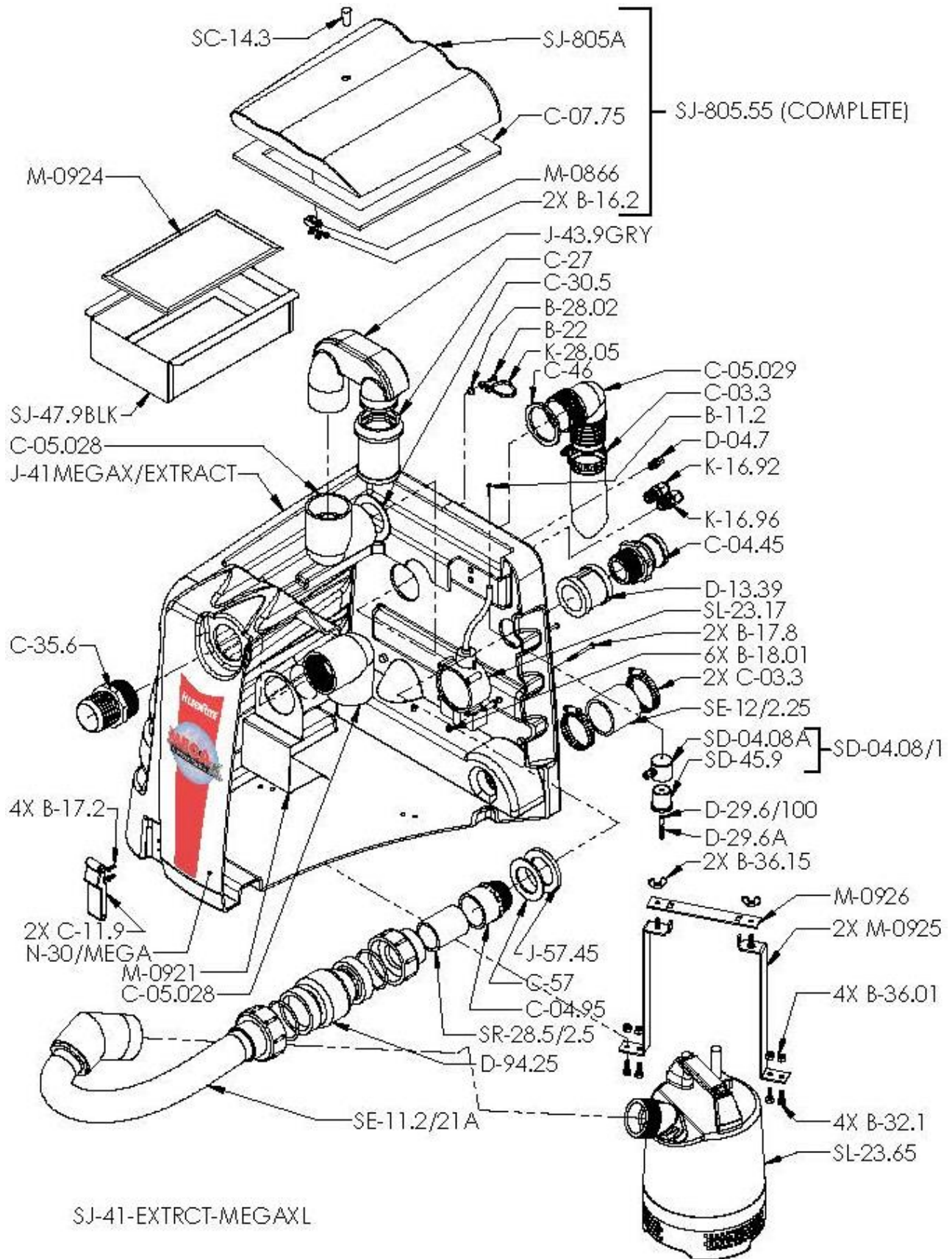
BASE GROUP

Part #	Description	Qty.
B-10	6-32 X 1/2 PHXSS	4
B-10	6-32 X 1/2 PHXSS	4
B-14	NUT 6-32 HEX SS	4
B-14	NUT 6-32 HEX SS	4
B-17.6	8-32 X 3/4PHX ZINC	4
B-17.68	8-32 X 1 PHXSS	8
B-17.85	8-32 X 2 PHXZINC	2
B-18.02	NUT 8-32 NYLOK, ZINC	2
B-18.85	INSERT, 8-32 INT THREAD HEX DRIVE	4
B-23.7	10-32 X 5/8 PHXSS	2
B-28	NUT 10-32 HEX SS	1
B-28.02	NUT, 10-32 SS NYLOCK	2
B-29	WASHER #10 LOCK	1
B-32	1/4-20 X 3/4 HEX HD CP	12
B-33	1/4-20 X 1 HEX HD CP	2
B-33.15	1/4-20 X 1 3/4 HEX SS	6
B-36.01	NUT 1/4-20 NYLOK ZINK	8
B-36.08	INSERT, 1/4-20 INT THREAD HEX DRIVE	4
B-38.5	WASHER, 1/4 FLAT CP SAE	12
B-42	WASHER 9/16 x 1 1/4 FLAT	4
C-02.45L	CASTER, 5 SWIVEL W/BRAKE	2
C-03.3	CLAMP, HOSE 2 1/4 #32	5
C-06	GASKET, BLOWER/ARLON 1/4	2
C-23.9	WHEEL, 12 W/ 1/2 BORE	2

Part #	Description	Qty.
C-51A	MUFFLER, FOAM EDGE BOTTOM	1
C-51B	MUFFLER, FOAM EDGE SIDE	1
C-59	PUSHNUT FASTNER, 1/2 CAP	2
G-37.5FOAM	VALVE,VAC SHUT OFF DUAL 2 FOAM	1
J-46.7BLK	MANFLD, BLWR INTAKE MEGA X	1
K-17.4	CLAMP,NYLON CABLE 1/4	4
K-25.8	FAN, COOLNG AC AXIAL 4.5 120V	1
M-0790.4	AXLE, ROD 1/2 EDGE 17.75-12 WHEEL	1
M-0791.08	BRACKET, LOCK CE EDGE	1
M-0791.09	BRACKET,FINGER GUARD CE HNDL-BASE	1
M-0791.3	PIVOT, TUBE EDGE 3.400	2
M-0792.55	PLATE, VAC MNT 2 VAC PAR-MEGA X	1
M-0792.61	PLATE, MUFFLER/HTR MOUNT COVER	1
M-31.7	STAND-OFF, 5.7 1 3 VAC MACH	6
N-30.759	LABEL, SERVPRO MEGAX #759	2
SC-16.695	SCREEN,BLOWER GUARD 6.6 VAC	2
SE-12.5/4	HOSE,2 FLEX EXH 4	1
SE-12.5/5	HOSE,2 FLEX EXH 5	1
SE-12.6/24	HOSE, 2 CLR WIRE SUPPORT 24LONG	1
SG-37.5	VALVE,DUAL FLPR MODI MEGA X	1
SJ-40.5BLK/MEGAX	BASE,BLK DRLD 12WHL MEGA X	1
SJ-47.5BLKMU.F.01	MUFFLER & HEATER MOUNT BLK ROTO	1
SJ-48.2BLK	VAC MOUNT, L W/INSERTS MEGAX	1
• SL-016.5	BLWR,2STG 120V 6.6 W/PLUG	2

- RECOMMEND STOCK ITEMS

TANK GROUP

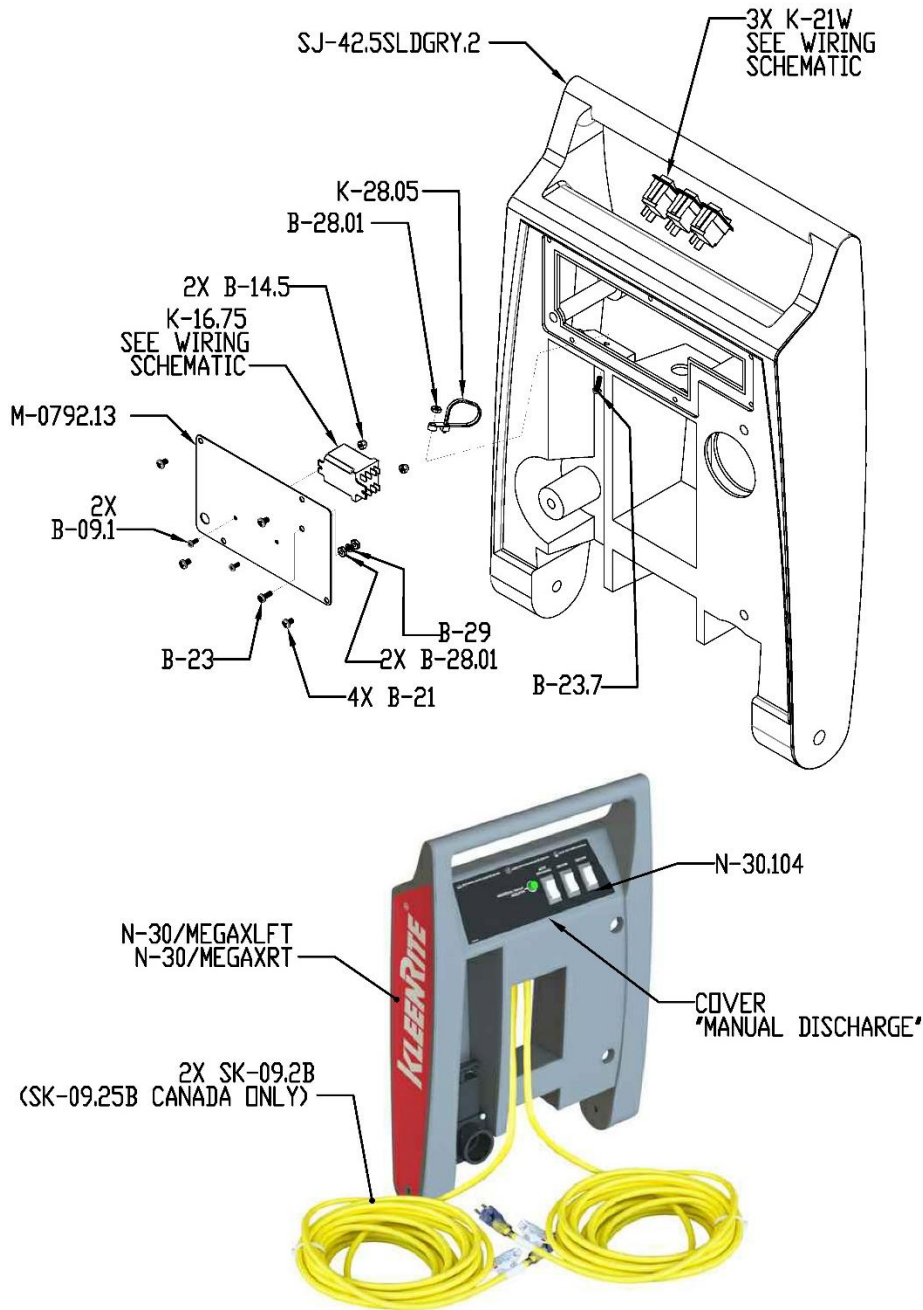


TANK GROUP

Part #	Description	Qty.	Part #	Description	Qty.
B-11.2	6-32 X 3/4 FHXSS 100 DEG	1	D-29.6A	BODY SS,1/4-32THD INLINE FILTER	1
B-12.5	6-32 X 1 1/4 PHXSS	2	D-94.25	VALVE, CHECK 1-1/2 CLEAR PVC	1
B-14.5	NUT 6-32 HEX SS NYLOK	2	J-41MEGAXL/EXTRACT	TANK, GRAY ROTO MEGA XL EXTRA	1
B-16.2	8-32 X 3/8 PHXSS	2	J-43.9GRY	NECK, VAC FILTER MEGA X ROTO G	1
B-17.2	8-32 X 1/2 PHXSS	4	J-57.45	SPACER, ROTO 2.84 OD X 1.9 ID	1
B-22	10-32 X 7/16 PHXSS	2	K-16.92	BUSHING, RELIEF 3/8 NPT	1
B-28.02	NUT, 10-32 SS NYLOCK	2	K-16.96	BUSHING,RELIEF 1/2 NPT	1
B-32.1	1/4-20 X 3/4 HEX HD SS	4	K-28.05	TIE, WIRE NYLON #10 SCREW	1
B-36.01	NUT 1/4-20 NYLOK ZINK	4	M-0921	TRAY, LINT HANGER MEGA X	1
B-36.15	NUT, WING 1/4-20 18-8 STAINLESS	2	M-0924	SCREEN, COMPLETE MEGA X	1
C-03.3	CLAMP, HOSE 2 1/4 #32	2	M-0925	BRACKET, PUMP MOUNT MEGA XL	2
C-03.3	CLAMP, HOSE 2 1/4 #32	1	M-0926	BRACKET, PUMP TOP MEGA XL	1
C-04.45	COUPLER, QC MALE 1-1/2 HOSE	1	N-30.759	LABEL, SERVPRO MEGAX #759	1
C-04.95	COUPLING,1 1/2FMLSLIP X 1 1/2MPT	2	SC-14.3	PLUG, RUBBER LANYARD ASM MEGAX	1
C-05.028	ELBOW, 90 2SLP X 2FPT PVC SHORT	2	SD-04.08/1	CAP, 3/4 ASM, W/ 1 FITTING	1
C-05.029	ELBOW, 90 2INSERT X 2 MPT PVC	1	SD-04.08A	CAP, 3/4 PVC W/ 1 HOLE	1
C-07.75	GASKET,VAC LID M.A.C	1	SD-45.9	PLUG 3/4 X 1/2 M SLP W/FLG TAP	1
C-11.9	LATCH, SOFT DRAW BLACK	1	SE-11.2/21A	1 1/2 FLEX PVC 21 LONG W/PVC	1
C-27	FLOAT,VAC SHUT OFF NEXGEN	1	SE-12/2.25	HOSE,2 VINYL X 2.25	1
C-30.5	GASKET, 2ID RUBBER	1	SJ-47.9BLK	FILTER TRAY, MEGA X ROTO	1
C-35.6	HOSE BARB, 2MPT X 2BARB	1	SJ-805.55	LID,VAC W/GSKT & VAC REL MEGAX ROT	1
C-46	LOCKNUT, 2 METAL	1	SJ-805A	LID, VAC ROTO MEGAX DRID VAC RE	1
C-57	FLAT WASHER 1.75 ID X 2.75	1	SL-23.17	SWITCH, SUB PUMP 115/220V HL TER	1
D-04.7	COUP 1/8NPT X 1/8COMP CA	2	SL-23.65	PUMP, SUBM TSUR 63GPM 110V TRM	1
D-13.39	COUPLING, 1-1/2 GALVANIZED	1	SR-28.5/2.5	TUBE, PVC 1 1/2 X 2 1/2	1
D-29.6/100	SCREEN,1/4-32THD INLINE 100 MESH	1			

- RECOMMENDED STOCK ITEMS

HANDLE GROUP



Part #	Description	Qty
B-09.1	6-32 X 3/8 PHXSS	2
B-14.5	NUT 6-32 HEX SS NYLOK	2
B-21	10-32 X 5/16 PHXSS	4
B-23	10-32 X 1/2 PHXSS	1
B-23.7	10-32 X 5/8 PHXSS	1
B-28.01	NUT 10-32 HEX ZINC	1
B-29	WASHER #10 LOCK	1
K-16.75	RELAY, 120V EDGE	1

Part #	Description	Qty
K-21W	SWITCH, SPST WATER RESIS	3
K-28.05	TIE, WIRE NYLON #10 SCREW	1
M-0792.13	PLATE,HANDLE SW COVR MEGA X	1
N-30.104	PNL,SW EDGE A/MP VV	1
N-30\MEGAXLFT	LABEL, MEGA X LEFT HANDLE	1
N-30\MEGAXRT	LABEL, MEGA X RIGHT HANDLE	1
SJ-42.5SLDGRY.2	HNDL,LRG ED 3 SWT & 1 CI SLD GRY	1

MEGAXL WARRANTY POLICY

LABOR & PARTS POLICY

For the first 12 months from the date of original purchase, upon Kleenrite's determination, product manufacturing defects will be repaired or replaced at no charge for labor and/or parts provided that the machine or part(s) is delivered or shipped freight prepaid to Kleenrite or its designated repair center and provided that a Return Authorization is obtained from Kleenrite prior to machine or part(s) being shipped. (See "How to Obtain a Return Authorization".)

Kleenrite is not responsible to pay for parts supplied by or labor performed by any of its distributors or any general service companies.

PARTS ONLY – STANDARD REPLACEMENT POLICY

For the first 12 months from the date of original purchase, in the event that a part believed to be under warranty fails, simply call Kleenrite to obtain a Return Authorization, ship the part freight prepaid to Kleenrite and, Kleenrite will either repair or replace the part at no charge if it is determined that failure was a manufacturing defect. Kleenrite will then ship the repaired or replaced part back to you freight collect. Our service department can usually talk a person through any part replacement procedure in a matter of minutes. There is no charge for this nationwide toll-free service.

PARTS ONLY – EMERGENCY REPLACEMENT POLICY

For the first 12 months from the date of original purchase, in the event that a part believed by the registered owner to be under warranty fails and an immediate replacement part is requested before Kleenrite can inspect the part that is suspected to be faulty or have a chance to repair it, Kleenrite will ship the requested part on a COD basis (part plus freight) or if credit has been established prior to the request the part will be shipped on an Open Account basis (part plus freight). A Return Authorization must be requested at the time of order so that the suspected defective part can be returned freight prepaid to Kleenrite for warranty consideration. If after receiving the part, Kleenrite determines that the part has a manufacturing defect and can be repaired, the part will be repaired to normal working condition and returned (freight collect) to the original registered owner as a spare part and no refund will be made. Should Kleenrite determine that the part is covered by warranty and cannot be repaired, Kleenrite will credit an open account customer the same amount as was charged when the replacement part was sent less freight and will refund a COD customer the same way. However, should Kleenrite determine that the part received was not a manufacturing defect, you will be informed of such and credit will not be given nor will the damaged part be returned unless requested specifically to the registered owner.

HOW TO OBTAIN A RETURN AUTHORIZATION

Prior to shipping any part, assembly or machine to Kleenrite a Return Authorization Number must be requested from Kleenrite and displayed prominently on the outside of all packages containing parts or machines for warranty consideration to be processed and in effect. A Return Authorization can be obtained by calling Kleenrite Service Department at 1-800-241-4865 or 1-559-673-5700. The machine and/or part serial number must be communicated to Kleenrite Customer Service to receive a Return Authorization Number. Any machine, part or assembly must be returned with its original serial number as affixed by Kleenrite for warranty consideration to be in effect. All returns will be sent to Kleenrite at 1122 Maple Street, Madera Ca. 93637. Fax communications can be sent to 1-559-673-5725 and emails sent to kleenritemfg.com.

WARRANTY

Kleenrite Equipment, Inc. warrants the Mega Extraction Machine against defects in material and workmanship under normal use and service. Kleenrite, hereby, extends a limited three-year warranty on the polyethylene machine housing of the Mega against cracking or leaking and a one-year warranty on the rest of the machine against manufacturing defect or workmanship subject to the terms and conditions that follow.

TERMS AND CONDITIONS

The warranty obligation extends only to the repair or replacement of parts, assemblies or machine housing found upon examination by Kleenrite to be defective in manufacturing or workmanship, and Kleenrite reserves the right to make that determination. Any adjustment or replacement of defective parts made under this warranty does not void the warranty; neither does it extend the original warranty beyond its term.

Repair or replacements of any machine component(s) with any part(s) other than genuine Kleenrite parts will immediately void this and all warranties.

Filters, brass fittings, seals, o-rings and quick disconnects are considered expendable in normal use and are not covered by this warranty.

Dry cleaning solvents cannot be used in the Mega.

This warranty shall not cover any Mega machine housing, part or assembly if there is evidence of misuse, alteration, owner neglect, lack of proper maintenance, improper chemical use, improper voltage, abuse, accident, freezing, flood, fire, etc. and any and all circumstances beyond Kleenrite's control.

In no event shall Kleenrite be liable for loss of use, incidental or consequential damages or any damages to persons or property.

KLEENRITE 1122 MAPLE STREET, MADERA CA 93637 USA
Phone 800-241-4865, 559-673-5700; Fax 559-673-5725; Email kleenritemfg.com

PLEASE RETURN REGISTRATION WITHIN 10 DAYS OF RECEIVING YOUR MEGA EXTRACTION MACHINE.

KEEP THIS COPY FOR YOUR RECORDS

WARRANTY REGISTRATION	Date Received
	Registered Owner(s)
	Address
	Phone Number
	Fax Number
	Email Address
	Machine Serial Number
	Purchased From (Distributor)

WARRANTY

Kleenrite Equipment, Inc. warrants the Mega Extraction Machine against defects in material and workmanship under normal use and service. Kleenrite, hereby, extends a limited three-year warranty on the polyethylene machine housing of the MEGAXL against cracking or leaking and a one-year warranty on the rest of the machine against manufacturing defect or workmanship subject to the terms and conditions that follow.

TERMS AND CONDITIONS

The warranty obligation extends only to the repair or replacement of parts, assemblies or machine housing found upon examination by Kleenrite to be defective in manufacturing or workmanship, and Kleenrite reserves the right to make that determination. Any adjustment or replacement of defective parts made under this warranty does not void the warranty; neither does it extend the original warranty beyond its term.

Repair or replacements of any machine component(s) with any part(s) other than genuine Kleenrite parts will immediately void this and all warranties.

Filters, brass fittings, seals, o-rings and quick disconnects are considered expendable in normal use and are not covered by this warranty.

Dry cleaning solvents cannot be used in the Mega.

This warranty shall not cover any Mega machine housing, part or assembly if there is evidence of misuse, alteration, owner neglect, lack of proper maintenance, improper chemical use, improper voltage, abuse, accident, freezing, flood, fire, etc. and any and all circumstances beyond Kleenrite's control.

In no event shall Kleenrite be liable for loss of use, incidental or consequential damages or any damages to persons or property.

KLEENRITE 1122 MAPLE STREET, MADERA CA 93637 USA
Phone 800-241-4865, 559-673-5700; Fax 559-673-5725; Email kleenritemfg.com

PLEASE RETURN REGISTRATION WITHIN 10 DAYS OF RECEIVING YOUR MEGA EXTRACTION MACHINE.

PLEASE RETURN THIS ENTIRE SHEET

WARRANTY REGISTRATION	Date Received
	Registered Owner(s)
	Address
	Phone Number
	Fax Number
	Email Address
	Machine Serial Number
	Purchased From (Distributor)